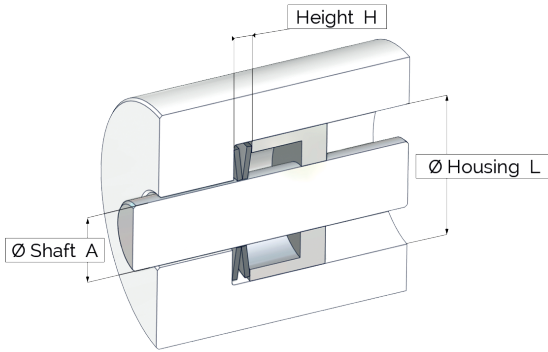


SPACE REQUIRED



Housing diameter L* :mm
 Shaft diameter A* :mm
 Minimum working height H :mm
 Maximum working height H :mm

Centering mode

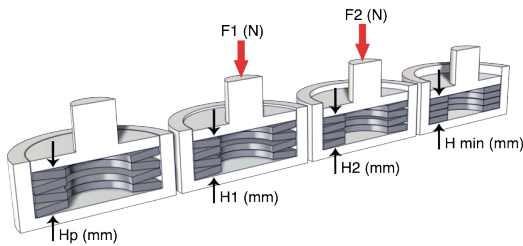
- Housing L
- Shaft A



Free height H₀

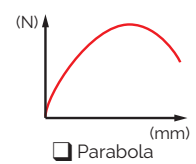
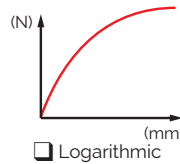
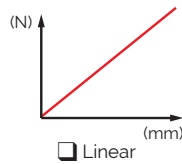
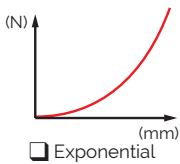
H₀ min :mm
 H₀ max :mm

LOADS UNDER WORKING HEIGHTS



Preloading height Hp :mm
 Working height H1* :mm Load F1* :N
 Working height H2 :mm Load F2 :N
 Working height H min :mm

ELASTICITY CURVE



ENVIRONMENT

Operating temperature :

Mini* :°C Maxi* :°C

- Spring operates in oil
- Spring must be stainless
- Spring should not be magnetic
- Spring must be conductive

Surrounding chemical substances :

 Required raw material :

FATIGUE

- Static application
- Dynamic application
 - Operating frequency : Hz
 - Number of cycles :

QUANTITIES

Prototypes :
 Pre serie :
 Serie* :
 Annual :

APPLICATION DESCRIPTION

.....

IDENTIFICATION

Last Name* : First Name* :
 Company* : Function :
 Full address :

 Email* : Phone :

*Required field